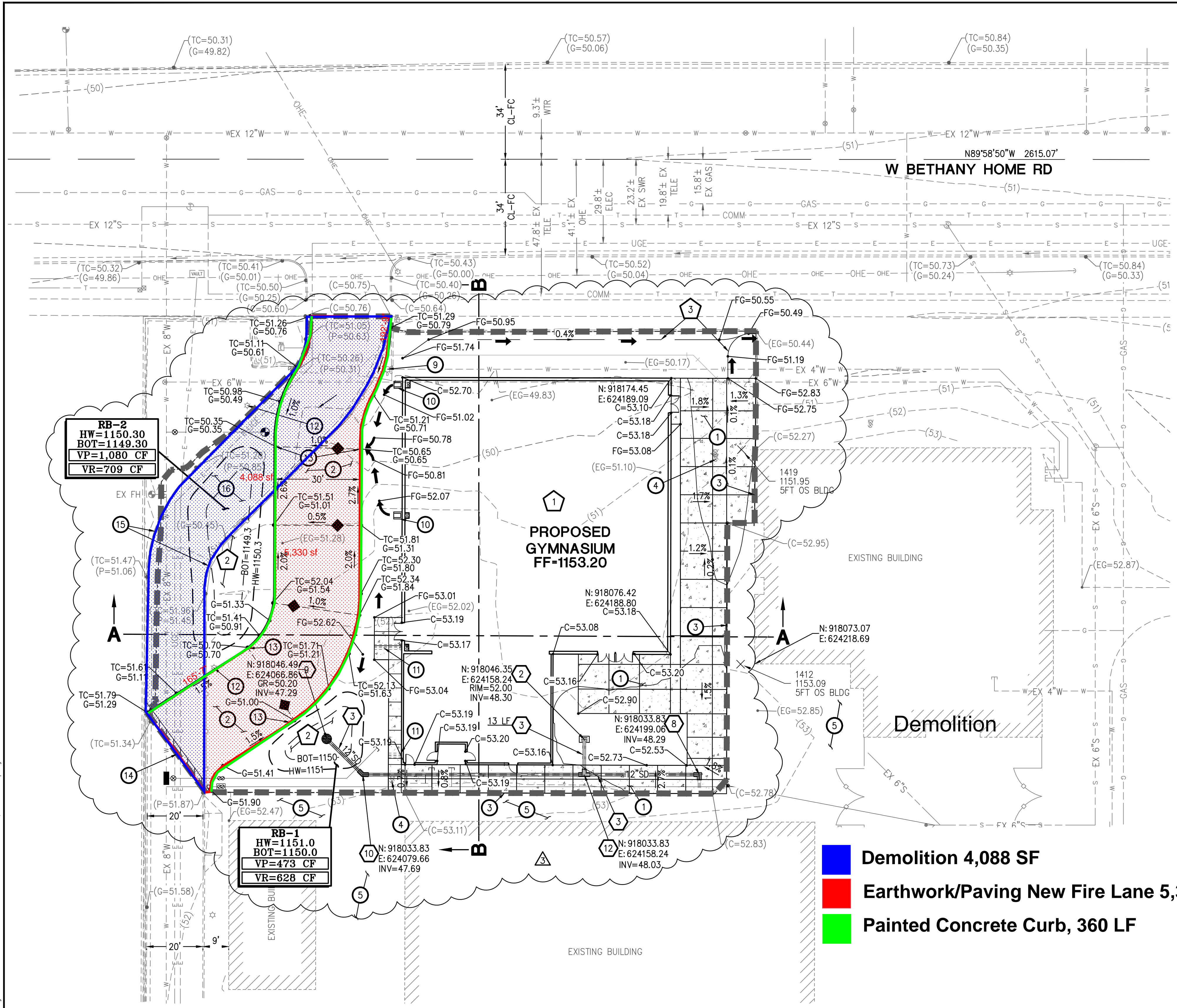
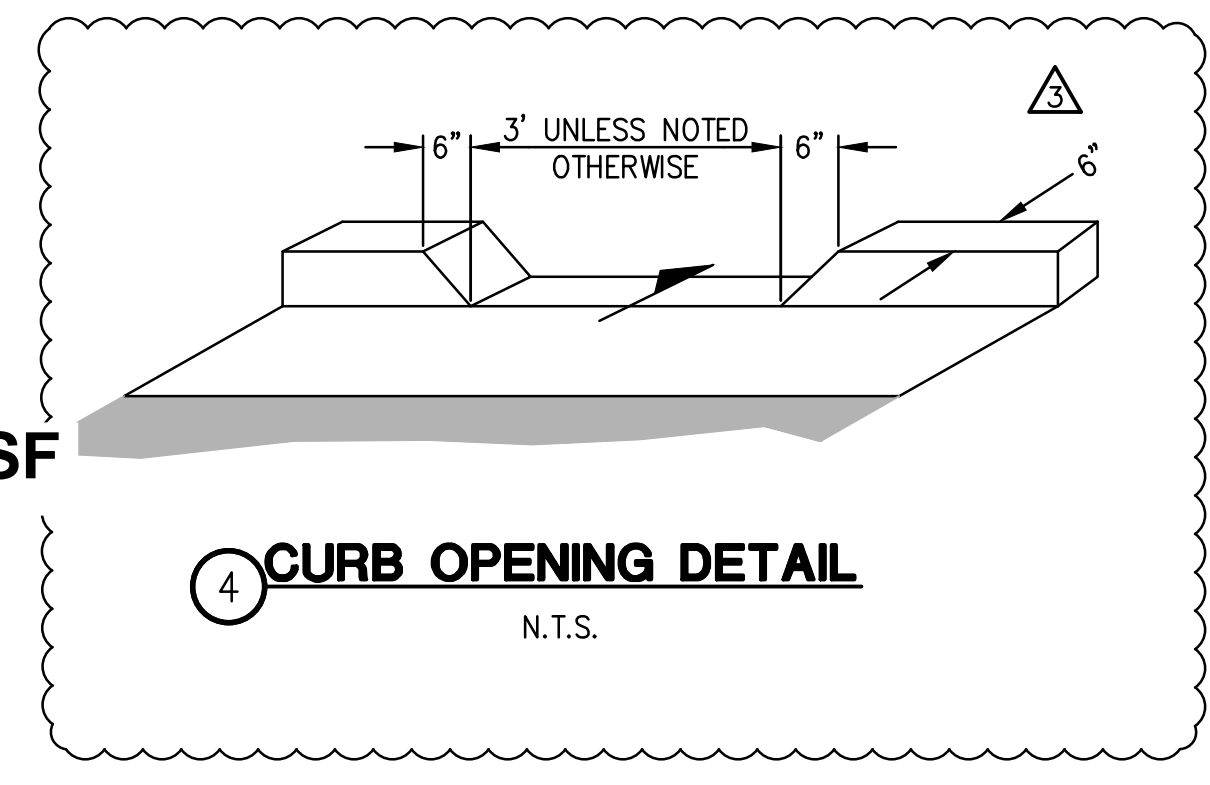
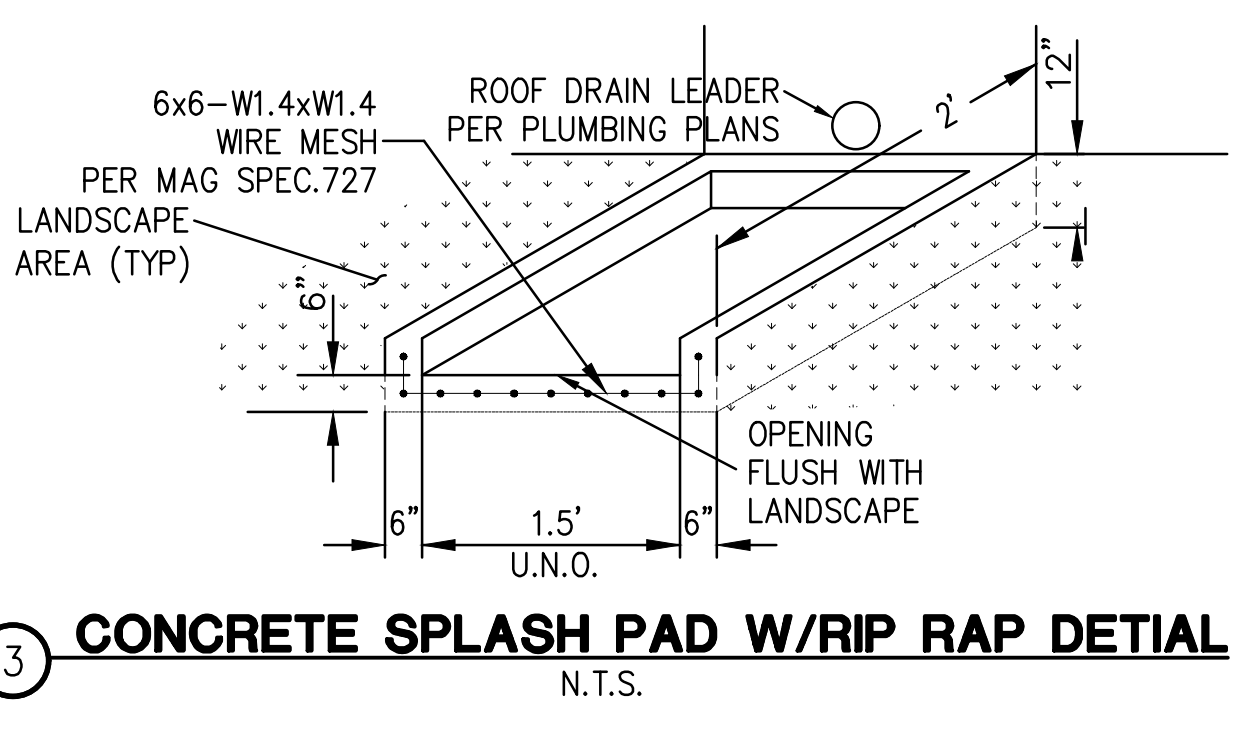
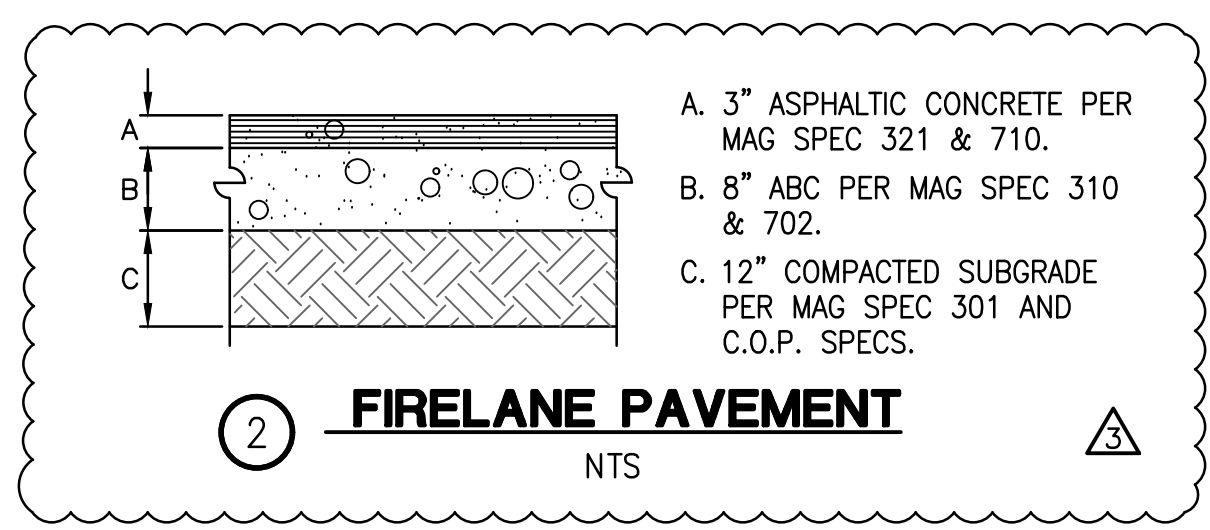
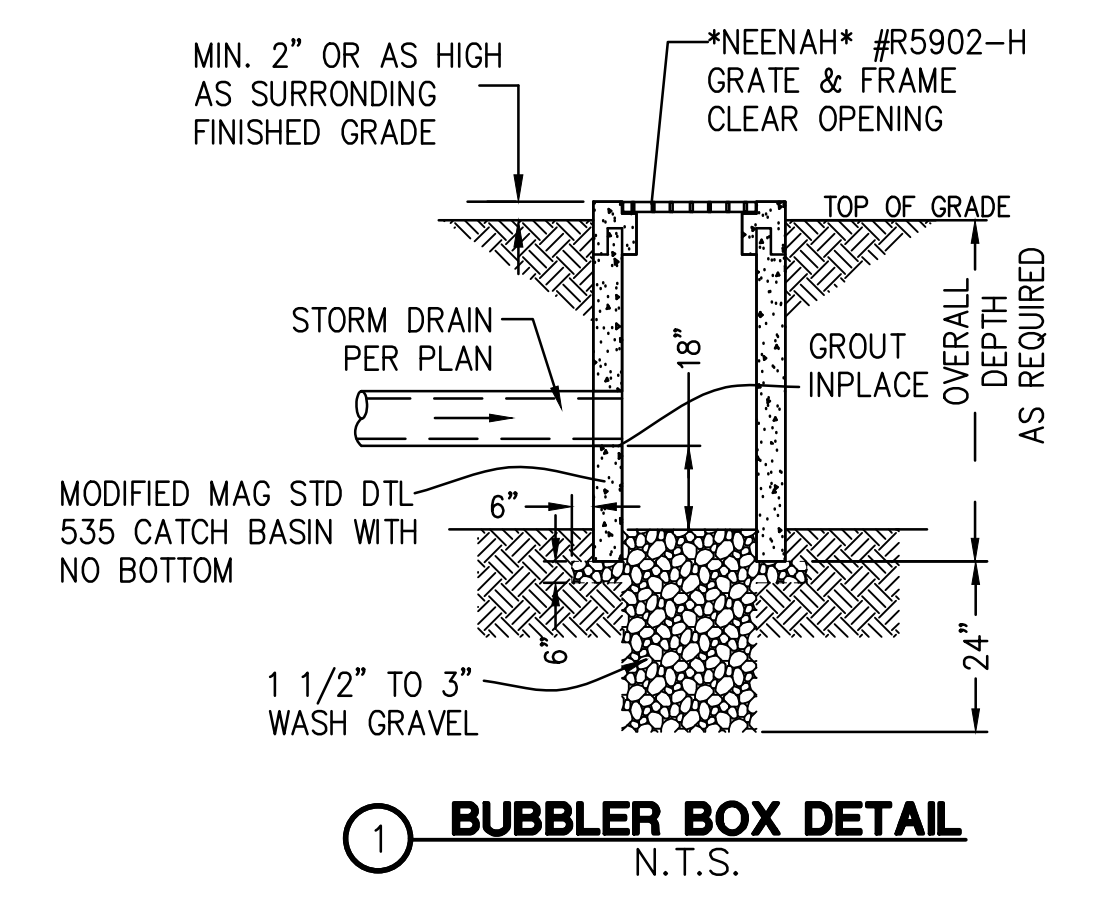


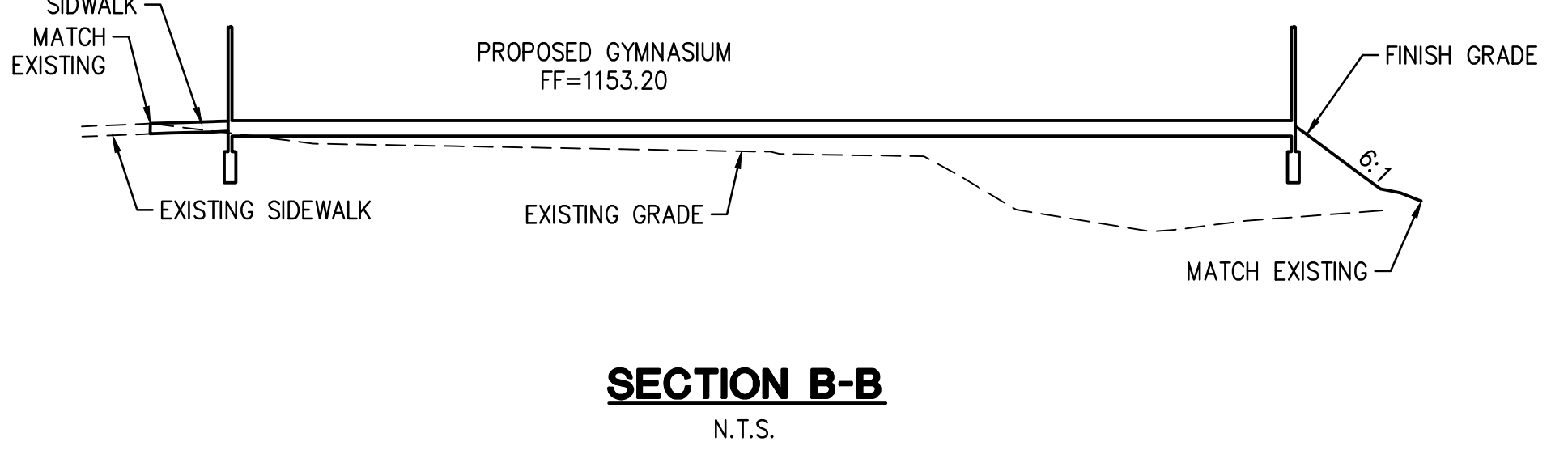
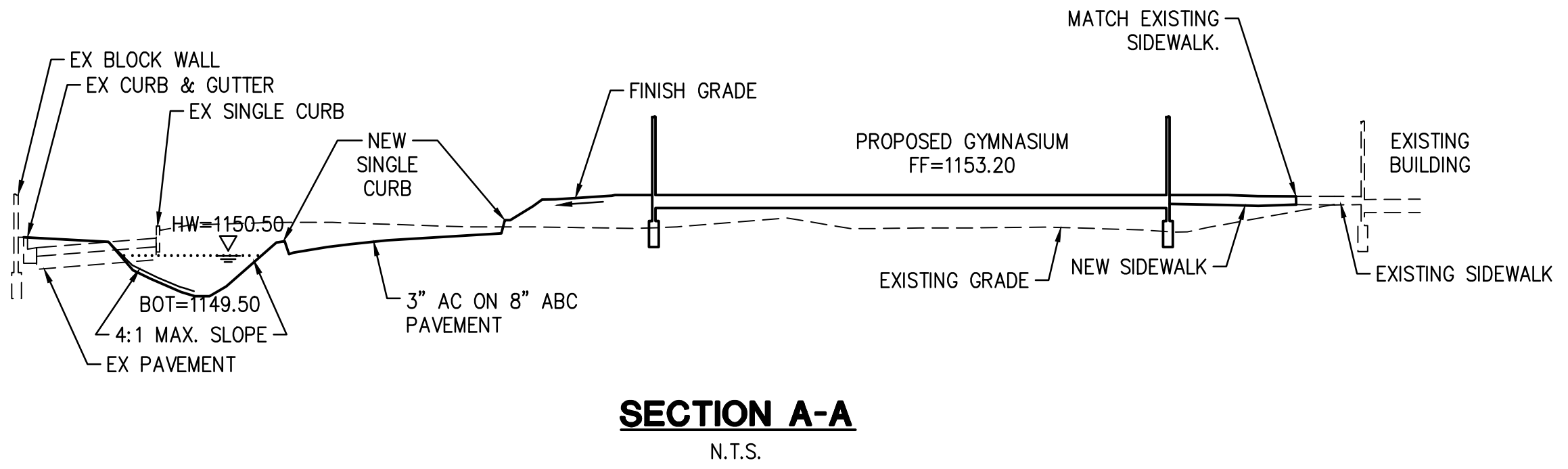
© Copyright, YYYY, HILGARTWILSON, LLC - This plan document set is the sole property of HILGARTWILSON, LLC. No alterations to these plans, other than adding "as-built" information, are allowed by anyone other than authorized HILGARTWILSON, LLC employees.



- Demolition 4,088 SF
- Earthwork/Paving New Fire Lane 5,330 SF
- Painted Concrete Curb, 360 LF



- PAVING, GRADING, & DRAINAGE CONSTRUCTION NOTES**
- CONSTRUCT 4" THICK SIDEWALK PER MAG STD DTL 230. CROSS SLOPES NOT TO EXCEED 2%, LONGITUDINAL SLOPES NOT TO EXCEED 5% WIDTH PER PLAN.
 - INSTALL 3" AC OVER 8" ABC. SEE DETAIL 2 & ON SHEET C1.1.
 - NEW CONCRETE TO MATCH EXISTING CONCRETE IN KIND.
 - EXISTING IRRIGATION CONTROL VALVES TO BE RELOCATED. SEE LANDSCAPE PLANS FOR DETAILS.
 - EXISTING CONCRETE.
 - EXISTING FDC TO REMAIN AND PROTECTED IN PLACE.
 - CONSTRUCT CONCRETE SPLASH PAD PER DETAIL 3 ON SHEET C1.1.
 - INSTALL SIDEWALK SCUPPER PER MAG STD DTL 203, MODIFIED WITH STAINLESS STEEL PLATE AND BOLTS.
 - EXISTING LIGHT TO REMAIN AND PROTECTED IN PLACE.
 - CONSTRUCT CURB OPENING PER DETAIL 4 ON SHT C1.1.
 - SAWCUT AND REMOVE EXISTING PAVEMENT AND CURB.
 - REMOVE EXISTING CURB.
 - REMOVE EXISTING PAVEMENT.
- STORM DRAIN CONSTRUCTION NOTES**
- CONSTRUCT CATCH BASIN PER MAG STD DTL 537 TYPE 'G'.
 - INSTALL 12" HDPE STORM DRAIN PIPE PER MAG SPEC. 738 AND BACKFILL AND COMPACTION PER MAG SPEC 601.
 - INSTALL HDPE BEND. CONNECT TO EXISTING STORM DRAIN PIPE. CONTRACTOR TO VERIFY LOCATION AND ELEVATION PRIOR TO WORK. NOTIFY ENGINEER OF ANY DISCREPANCIES.
 - INSTALL BUBBLER BOX, PER DETAIL 1 ON SHEET C1.1.
 - INSTALL 45" HDPE BEND.
 - INSTALL HDPE TEE.
- GRADING CONSTRUCTION NOTES**
- CONTRACTOR TO COMPACT ENTIRE AREA OF BUILDING PER GEOTECHNICAL REPORT.
 - CONTRACTOR TO GRADE RETENTION BASIN PER CONTOURS SHOWN ON PLANS. CONTOURS SHOWN ARE FINAL GRADES. THE CONTRACTOR SHALL MAKE ADJUSTMENTS DURING CONSTRUCTION TO ACCOUNT FOR LANDSCAPING.
 - CONTRACTOR TO GRADE SWALE PER CONTOURS SHOWN ON PLANS. CONTOURS SHOWN ARE FINAL GRADES. THE CONTRACTOR SHALL MAKE ADJUSTMENTS DURING CONSTRUCTION TO ACCOUNT FOR LANDSCAPING.



N

20 10 0 20 40
SCALE FEET

Call at least two full working days before you begin excavation!

ARIZONA 311
Arizona Statewide 24/7 (800-633-3449)
In Maricopa County: (602) 263-1100

CAROL G. PECK MIDDLE SCHOOL - GYMNASIUM ADDITION
5810 N 49TH AVE
GLENDALE, ARIZONA

GRADING & DRAINAGE PLAN

PROJ. NO. 1997	
DATE: OCTOBER 2018	
SCALE: AS NOTED	HILGARTWILSON
DESIGNED: DK	DRAWN: SA
REV. FIRELINE REVISED PER CITY COMMENTS - OCT-1-2018	APPROVED: GK
	DWG. NO. C1.1
	SHT. 2 OF 3