

Req 20312



# PROPOSAL

8320 N. 67TH AVENUE  
GLENDALE AZ 85302  
PHONE: (623) 247-5896  
FAX: (623) 939-1940  
C-14 094669, L-14 094682

COMMERCIAL/INDUSTRIAL CHAIN LINK • ORNAMENTAL IRON • GATE OPERATORS • TENNIS COURT FENCE

CUSTOMER(S) <b>LAVEEN SCHOOLS</b>		ATTN: <b>DONNY</b>	
BILLING ADDRESS <b>9401 S. 51ST AVENUE</b>			
CITY <b>LAVEEN</b>		STATE <b>AZ</b>	ZIP <b>85339</b>
PHONE	FAX <b>(602) 237-7419</b>	MOBILE <b>(602) 621-3485</b>	

DATE <b>12/6/2017</b>		
JOB <b>MC CASH SCHOOL</b>		
DELIVERY SITE OR JOB ADDRESS <b>3851 W. ROESER RD</b>		
CITY <b>PHOENIX</b>	STATE <b>AZ</b>	ZIP <b>85041</b>

ASSOCIATED FENCE AGREES TO THE FOLLOWING:

MOHAVE CONTRACT #15J-AFCO-1102

MATERIALS AND LABOR TO REPLACE THE DAMAGED TRAFFIC GATE PER THE ATTACHED DRAWING.

NOTE: THE MOHAVE FEE IS INCLUDED IN THE PRICING.

620 100.4000 6450.102. — .0000

FOR PAYMENT AS FOLLOWS:

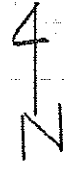
2/23 Emailed Kevin

TERMS:	<input type="checkbox"/>		NET SUM	<u>\$2,044.35</u>
	<input type="checkbox"/>	<u>CONTRACT #15J-AFCO-1102</u>	SALES TAX	<u>INCLUDED</u>
	<input checked="" type="checkbox"/>	<u>OTHER MOHAVE</u>	BUILDING PERMIT	<u>NONE</u>
			TOTAL	<u>\$2,044.35</u>

This project is quoted through Mohave Educational Services Cooperative under a JOC (Job Order Contract). Under JOC contracts, performance and payment bonds are required, but may be waived by the owner for projects under \$50,000. Your acceptance of this quote (which does not include charges for such bonds) is your indication of agreement of said waiver.

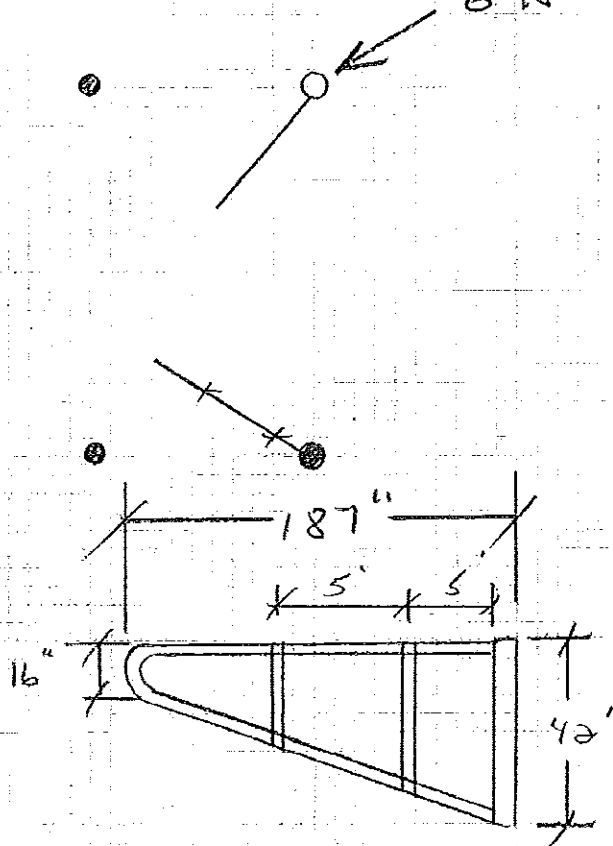
If you do not wish to waive the requirement, please contact us for a revised quote with performance and payment bonds added.

SIGNATURE 	DATE	CUSTOMER'S P.O.	DATE
PRINTED NAME <b>DENNIS WEST</b>	CELL PHONE <b>602-501-9382</b>	CUSTOMER'S SIGNATURE	
ESTIMATOR E-MAIL <a href="mailto:dwest@associatedfence.net">dwest@associatedfence.net</a>	TITLE <b>Sr. P.M.</b>	PRINTED NAME	TITLE
		CUSTOMER E-MAIL	



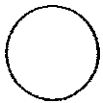
REPLACE DAMAGED  
BARRIER GATE

REPLACE  
6 5/8"



2 3/8" FRAME  
FIRE LATCH TABS  
YELLOW FINISH

LAWREN SCHOOL DIST - CASH SCHOOL



8320 North 67th Avenue  
Glendale, AZ 85302  
Phone: 623.247.5896  
Fax: 623.939.1940  
ROC 094682

SCALE: NTS

DATE: 10-4-17

DRAWN BY: DENNIS WOLF

PROJ. #: MOHAVE

RFP 15J-AFCO-1102 Unit Price Book

**ASSOCIATED FENCE COMPANY**

RFP 15J-0828 Unit Price Book - 11-2-17

JOB NAME **LAVEEN SCHOOLS - MC CASH**

REPAIR DAMAGED BARRIER GATE

QUAN	ITEM #	SIZE	LENGTH	DESC	COST	TOTAL
1	1258	6 5/8"	8'	CHAIN LINK CUT POSTS - SS40, GA	442.66	\$442.66
1	3103	Manual Galvanized Tubular Barrier Gate, 4' x 14'		TUBULAR BARRIER GATE, GALV, W	813.94	\$813.94
2	9506	Box Hfngs		WROUGHT IRON GATE HARDWARE	67.94	\$135.88
1	10203	Auger fence post ho'e, 3' deep, Heavy soil/rock (by machine)		AUGER FENCE POST HOLES	58.47	\$58.47
4	10301	General Service Rate - DEMO & HAUL OLD GATE AND POST		HOURLY RATES	59.34	\$237.36
6	10301	General Service Rate - PAINT TO MATCH		HOURLY RATES	59.34	\$356.04
						\$2,044.35
						\$0.00
						\$2,044.35

1% MOHAVE FEE IS INCLUDED

GRAND TOTAL

DENNIS WEST - CELL: 602-501-9382